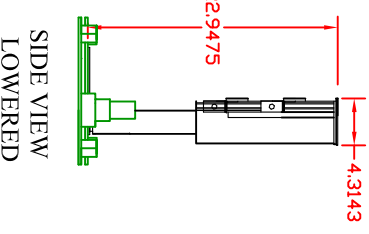
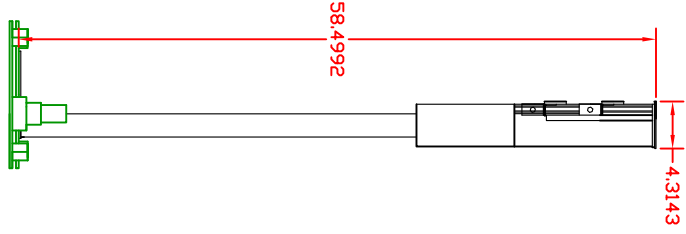
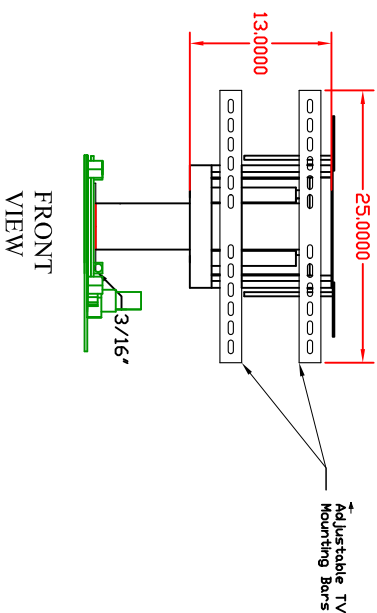
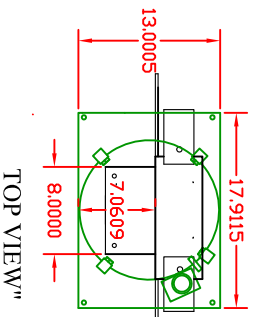


MODEL # 2500-R
 TRAVEL 35.0"
 LIFT CAPACITY
 140 LBS



REGISTERED AND PATENTED
 THE INFORMATION CONTAINED
 HEREIN IS THE PROPERTY OF
 ACTIVATED DECOR, INC. AND
 SHALL REMAIN THE PROPERTY
 OF ACTIVATED DECOR, INC.

Activated Decor, Inc.

DMC 102
 3500-R

1-877-544-9711 SCALE: N/A SHEET 1 OF 1